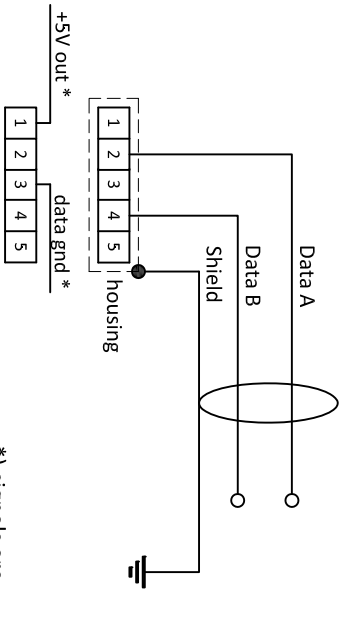




PROFIBUS DP

Hook-up diagram

PROFIBUS connection

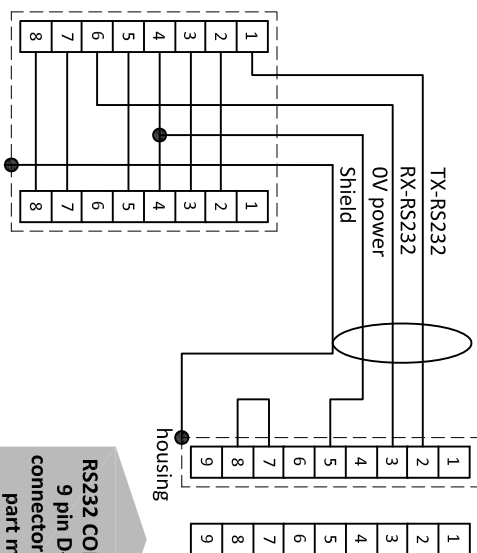


M12 connector female chassis part B-coded

*) signals are for termination purpose only.



RS232 connection



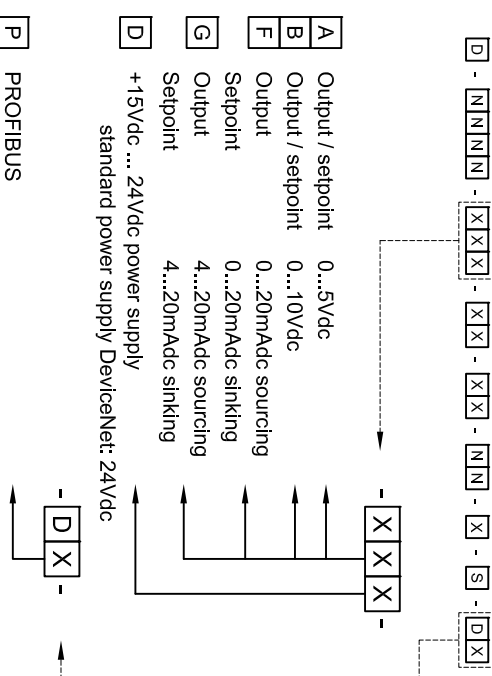
T-adapter cable 7.03.444

RS232 COM-port 9 pin D-Sub connector chassis part male

Types

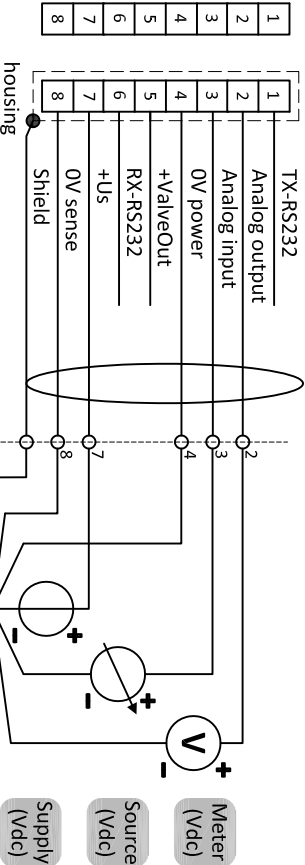
D-6300 Series

Model key explanation

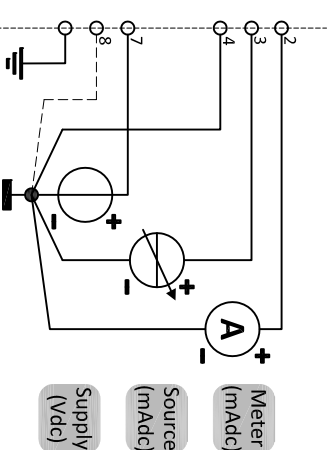


8 DIN connector chassis part male

8 DIN connector cable part female



Note: 0V power (pin 4) and 0V sense (pin 8) should be separately connected to the 0V terminal at the power supply.



Note: In analog mode with 'mA signals' pin 8 (0V sense) does not need to be connected. The instrument's operation will not be effected in case Pin 8 is already hooked-up

Analog operated 0...5 or 0...10Vdc

Analog operated 0...20 or 4...20mAdc

Note: Do not connect an external valve to instruments, set as MFML.

Note: When using a field bus or RS232, it is not possible to operate the instrument by using the setpoint signal of the analog 8 DIN connector without changing the value of parameter "control mode". See doc.no. 9.17.023 for more details