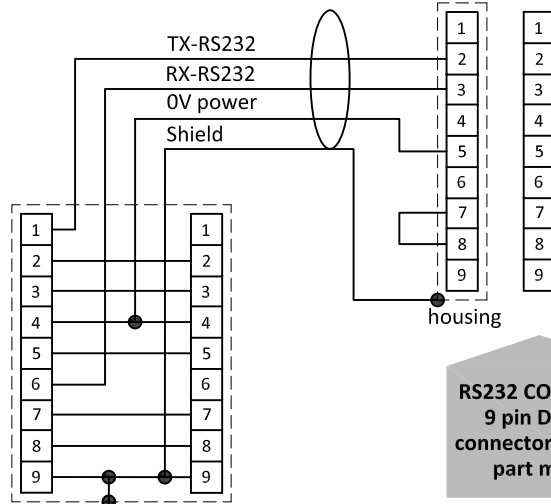


RS232+Analog I/O

MBC3 Hook-up diagram ML Series instruments

RS232 connection

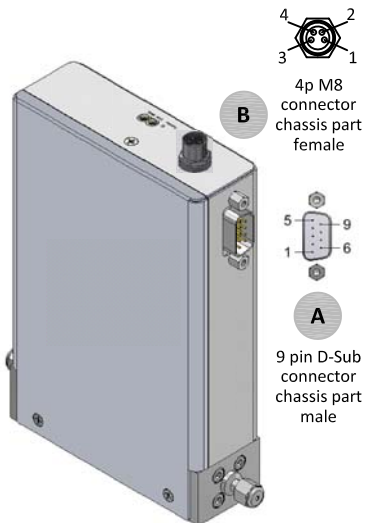
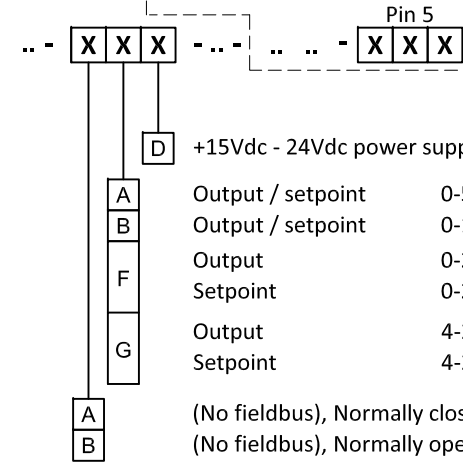


RS232 COM-port
9 pin D-Sub
connector chassis
part male

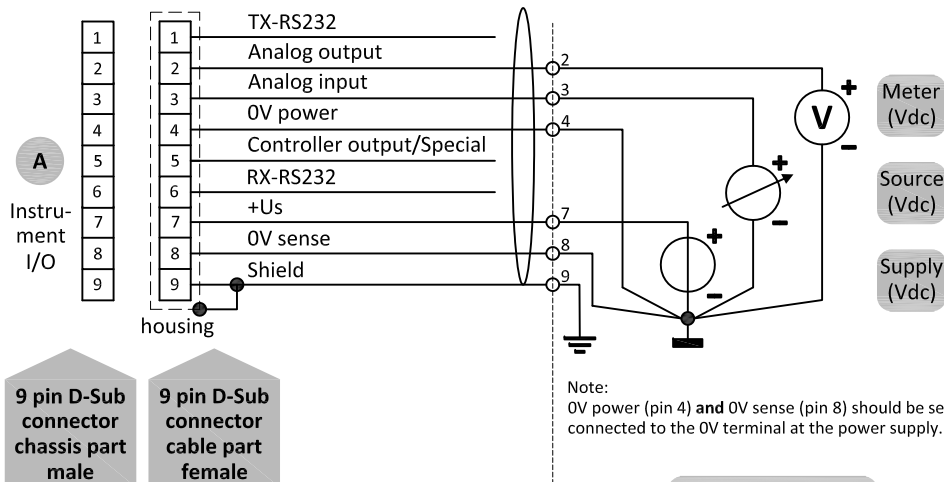
T-adapter
cable 7.03.366

Model key explanation

For other explanation see 9.16.131

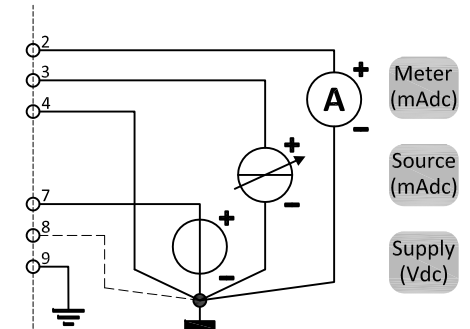


Note:
For information about the optional **B** "Valve/Actuator" connector.
See doc.nr. 9.16.131 for more details.



Note:
0V power (pin 4) and 0V sense (pin 8) should be separately
connected to the 0V terminal at the power supply.

Analog operated
0-5 or 0-10Vdc



Note:
In analog mode with 'mA signals' Pin 8 (0V sense) does
not need to be connected. The instrument's operation
will not be effected in case Pin 8 is already hooked-up

Analog operated
0-20 or 4-20mAdc

Note:
Do not connect an external valve to instruments, set as meter.

Note:
When using a field bus or RS232, it is not possible to operate the instrument by using the setpoint signal of the analog D-sub connector without changing the value of parameter "control mode". See doc.nr. 9.17.023 for more details