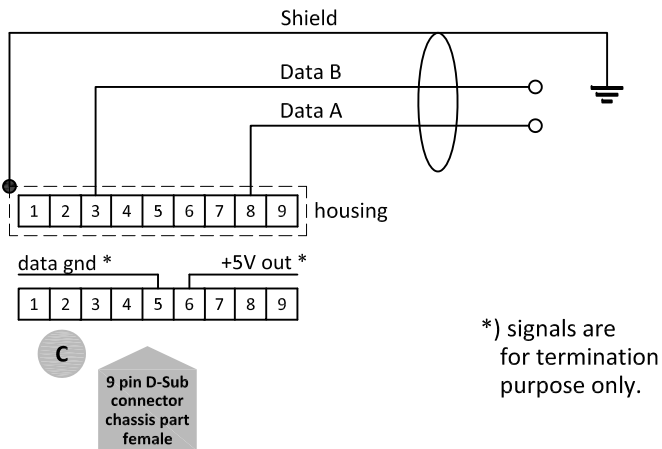


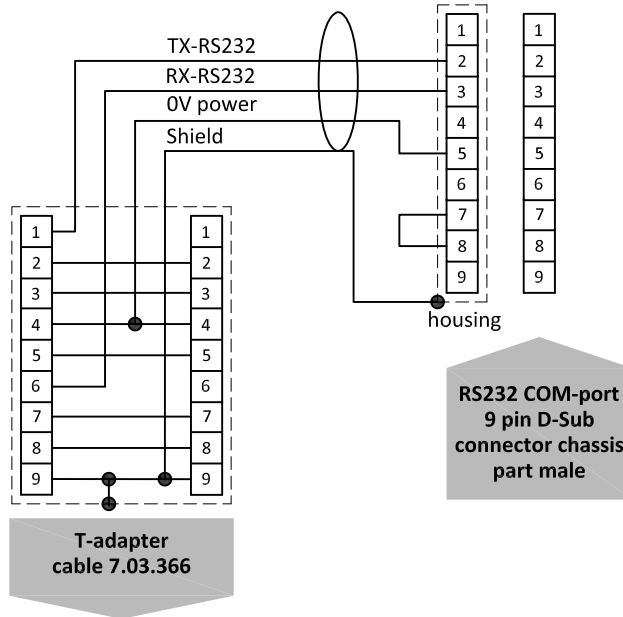
PROFIBUS DP

MBC3 Hook-up diagram ML Series instruments

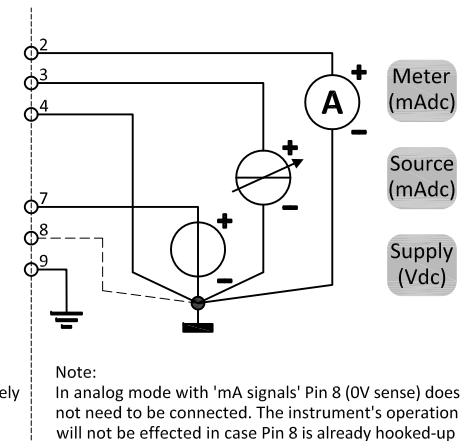
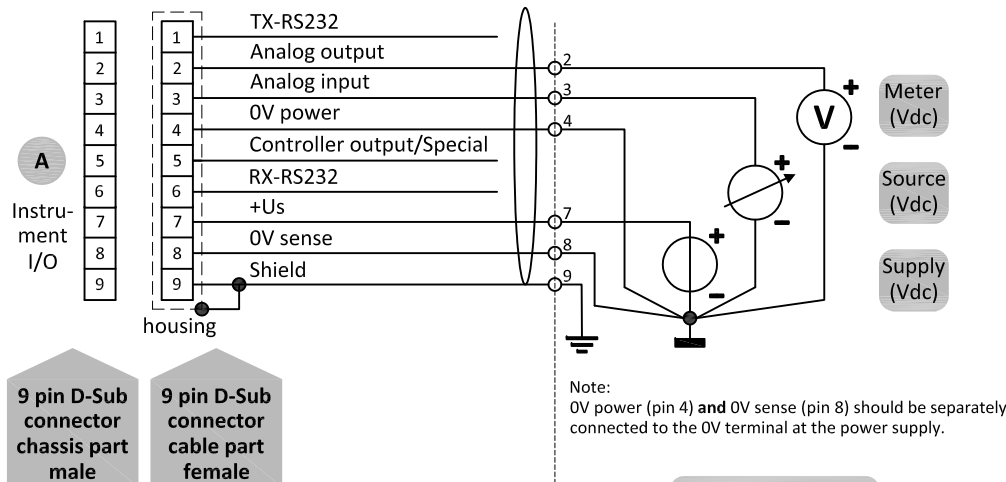
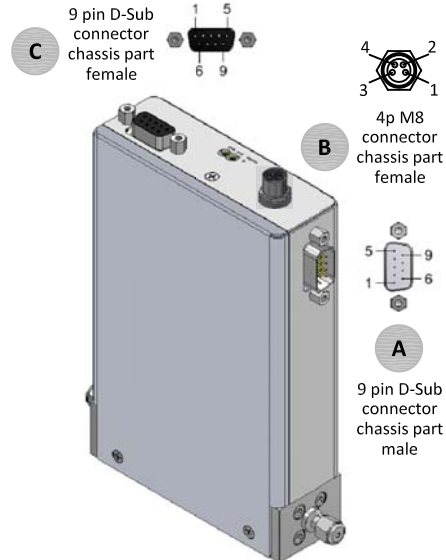
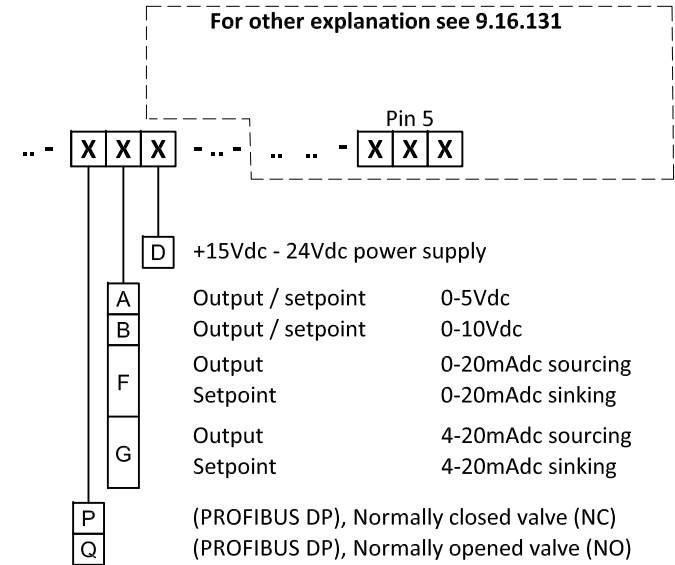
PROFIBUS connection



RS232 connection



Model key explanation



**Analog operated
0-5 or 0-10Vdc**

**Analog operated
0-20 or 4-20mAdc**

Note:
For information about the optional **B** "Valve/Actuator" connector.
See doc.nr. 9.16.131 for more details.

Note:
Do not connect an external valve to instruments, set as meter.

Note:
When using a field bus or RS232, it is not possible to operate the instrument by using the setpoint signal of the analog D-sub connector without changing the value of parameter "control mode". See doc.nr. 9.17.023 for more details