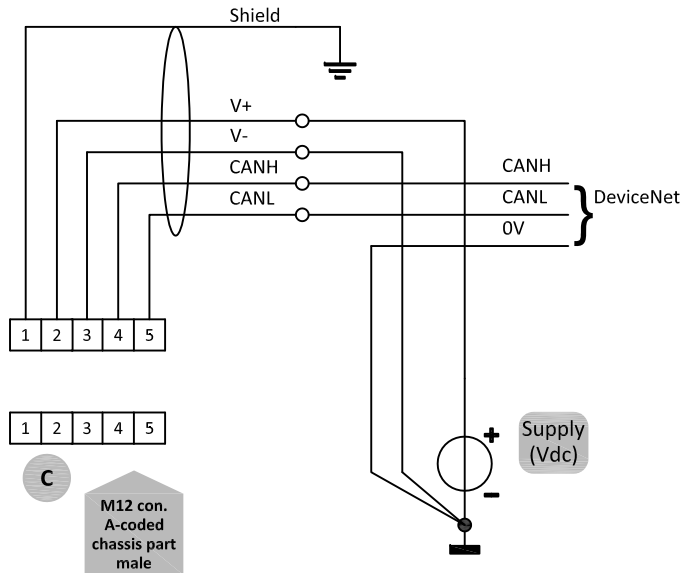
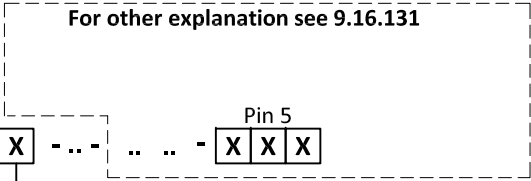


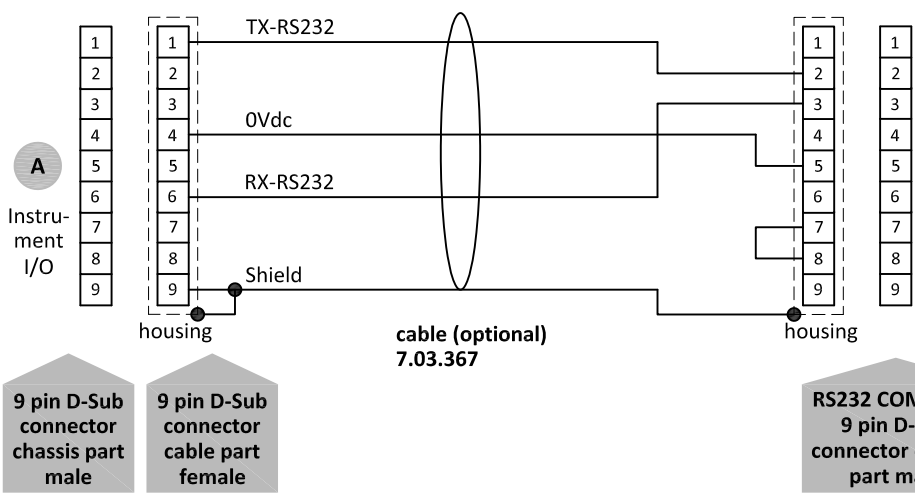
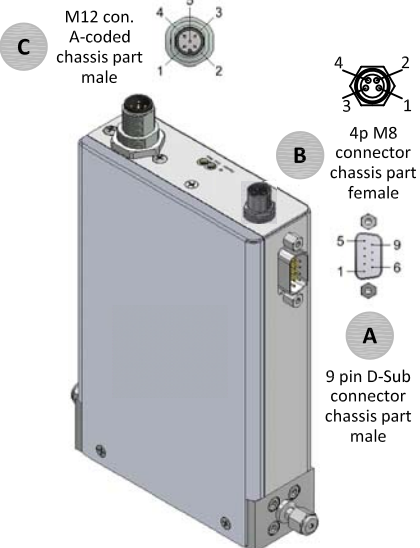
DeviceNet connection



Model key explanation



D	+15Vdc - 24Vdc power supply	
A	Output / setpoint	0-5Vdc
B	Output / setpoint	0-10Vdc
F	Output	0-20mAdc sourcing
	Setpoint	0-20mAdc sinking
G	Output	4-20mAdc sourcing
	Setpoint	4-20mAdc sinking
D	(DeviceNet), Normally closed valve (NC)	
E	(DeviceNet), Normally opened valve (NO)	



Note:
When using a field bus or RS232, it is not possible to operate the instrument by using the setpoint signal of the analog D-sub connector without changing the value of parameter "control mode".
See doc.nr. 9.17.023 for more details

Note:
Do not connect an external valve to instruments, set as meter.

Note:
Powering a single instrument is possible by the D-sub connector.
Please consult 9.16.132 for a connection diagram.

Note:
For information about the optional B "Valve/Actuator" connector. See doc.nr. 9.16.131 for more details.